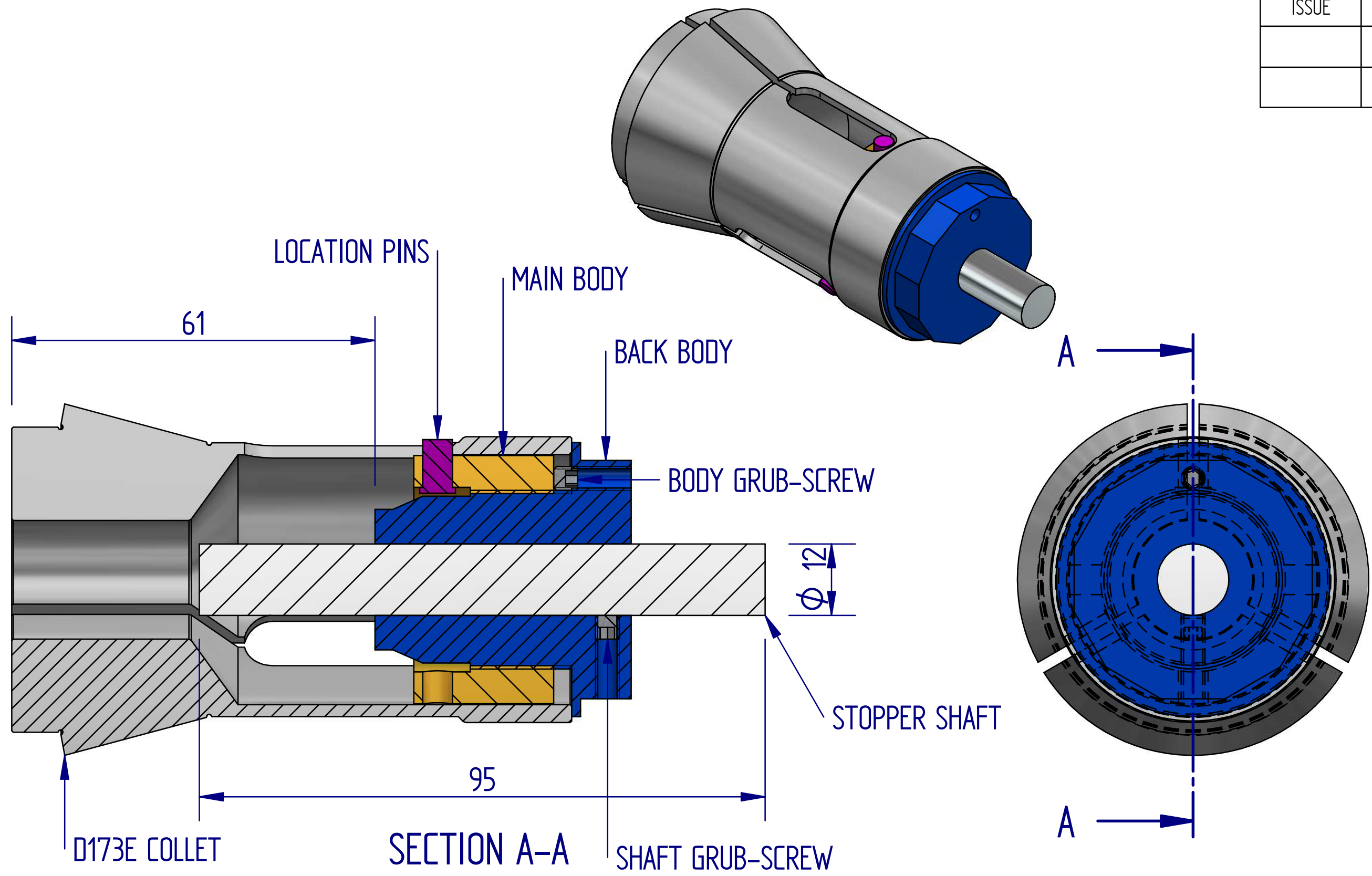


ISSUE	DATE



NOTE:
 CHAMFER ALL EDGES 0.5 * 45 UNLESS OTHERWISE STATED.
 ALL FACES AND DIAMETERS TO BE SQUARE AND CONCENTRIC TO WITHIN 0.02



UNIT 1, THE HEADLANDS
 DOWNTON
 SALISBURY
 WILTSHIRE SP5 3JJ

TELEPHONE: 01725 514000
 TELEFAX: 01725 514001

RANGE AS SPECIFIED	MACHINING TOLERANCES						
	NOMINAL DIMENSION						
	> 0.5 ... 3	> 3 ... 6	> 6 ... 30	> 30 ... 120	> 120 ... 400	> 400 ... 1000	> 1000 ... 2000
ALL DIMENSION IN mm							
FINE	±0.05	±0.05	±0.1	±0.15	±0.2	±0.3	±0.5
MEDIUM	±0.1	±0.1	±0.2	±0.3	±0.5	±0.8	±1.2
COARSE	±0.2	±0.3	±0.5	±0.8	±1.2	±2	±3
VERY COARSE	—	±0.5	±1	±1.5	±2	±3	±4

DRAWN	WILLIAM HORNE
DATE	20/07/2016
CHECK	
ISSUE	

TITLE	WS-D173E WITH COLLET
DRAWING No.	WS-D173E WITH COLLET

